



## **USER MANUAL**

**AIRTAP BUILD-IN HAND DRYER**

**Model: 372-373 + 472-473**

## TABLE OF CONTENTS

Dimensions and technical specifications	3
General safety information	4
Circuit diagram	5
Installation	6
Installation height	10
Product application	10
Light indicator	10
Cleaning and maintenance	11
Timer settings	12
Troubleshooting and corrective actions	13
Parts list	14

### IMPORTANT!

This product falls within the scope of the WEEE directive on recycling and recovery of waste electrical and electronic equipment.



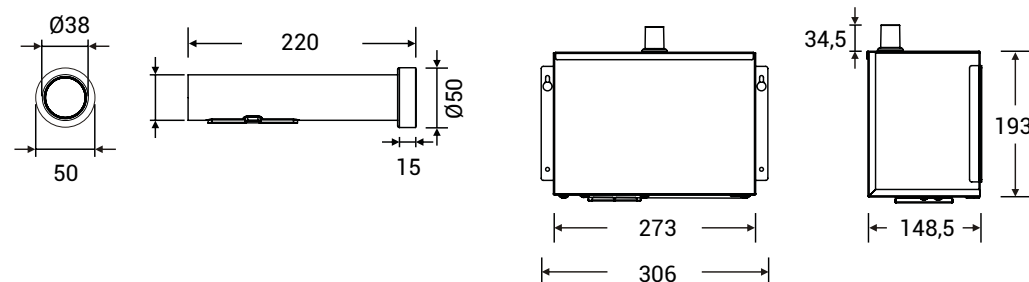
- This product should not be disposed of with general household waste.
- This product must be reused if possible.
- Contact your local authority for further details.
- This product may also be returned to the manufacturer/retailer for proper treatment, recovery, and recycling.
- Read instructions in full before use.



## DIMENSIONS AND TECHNICAL SPECIFICATIONS

Dimensions

Unit of measurement: mm



### TECHNICAL SPECIFICATIONS

DESCRIPTION	DATA
<b>Operating voltage</b>	110V-120V, 50/60Hz, 0.84-1.0kW 220V-240V, 50/60Hz, 0.84-1.0kW
<b>Air temperature</b>	55°C ~ ambient temperature 25°C
<b>Air speed</b>	93-110 m/s (at air outlet)
<b>Motor type</b>	500W (adjustable) carbon brush, 22.000-29.000 rpm.
<b>Motor thermal protecton</b>	Auto resetting, thermostat turns off at: 120V at 135°C 240V at 95°C
<b>Heating element</b>	100 - 500W (adjustable)
<b>Heating element protection</b>	Auto resetting, thermostat turns circuit off at: 85°C, thermal fuse turns off at 142°C
<b>Drying time</b>	≤ 10-15 seconds
<b>Stand-by power</b>	0.3-0.4W
<b>Sensor type</b>	Infrared, self adjusting
<b>Sensor range</b>	110-230 mm adjustable. Standard 130 mm± 20 mm
<b>Protection time</b>	60 seconds auto shut off
<b>IP Class</b>	IP35
<b>Insulation class</b>	Class 1
<b>Net weight</b>	5.6 kg
<b>Gross weight</b>	8.1 kg

### PRODUCT TYPE / MODEL

372 / 373 Stainless steel, satin finish, AirTap Wall 230V/110V

472 / 473 Stainless steel, black PVD coating, AirTap Wall 230V/110V

## GENERAL SAFETY INFORMATION

### WARNING

- All units must be equipped with a 3-wire service. Connect the ground wire according to the instructions.
- This product must be installed only by qualified persons. Use 2.08 mm<sup>2</sup> (AWG) NO.14 wiring.
- Turn off the power to the unit before servicing or cleaning. All wires must be disconnected.
- Incorrect installation, defect power cords, or failure to properly ground unit could result in electrical shock or life-threatening injuries.
- Never modify the product.
- Never insert objects into any opening in the product.
- The product is not intended for playing purposes.
- Cleaning and user maintenance must not be carried out by children.
- The product may only be used for the applications described in this manual.
- Do not use any accessories not recommended by the manufacturer.
- The product should be checked on a regular basis. Never use a defective or malfunctioning unit.
- Never make alterations to the product affecting its performance. DAN DRYER's product warranty does not cover product problems that result from misuse or alteration.

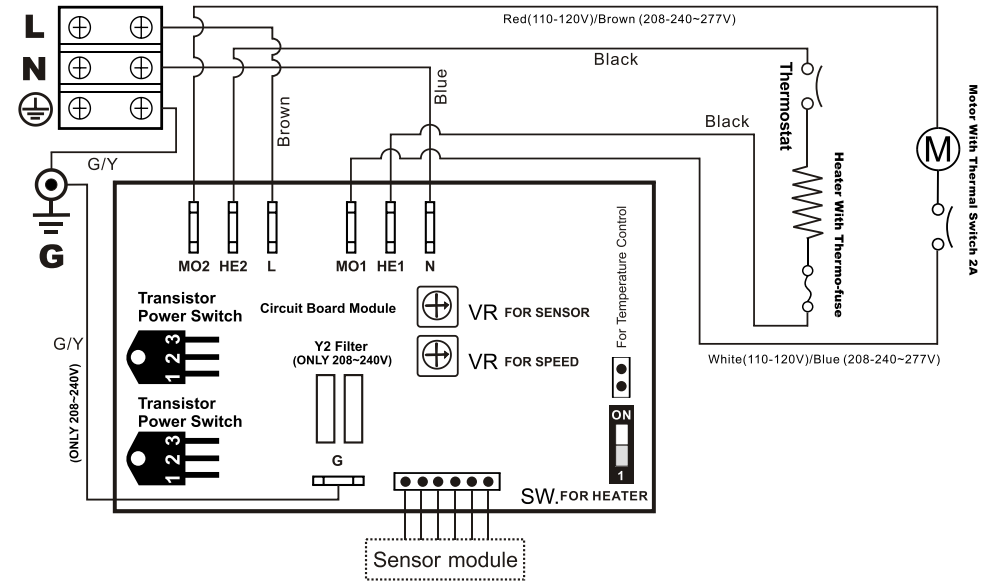
### NOTE

Type Y connection: If the power supply cord is damaged, it must be replaced immediately. Only qualified persons shall be permitted to replace the cord to avoid a hazard. Disconnect the electricity supply cord according to instructions.

This product is not intended for use by persons (inclusive children) with reduced physical, sensory or mental capabilities, or lack of experience and knowledge, unless they are supervised or have been given instruction concerning use of the product by a person responsible for their safety.

Children should be supervised to ensure this product is used correctly.

## CIRCUIT DIAGRAM



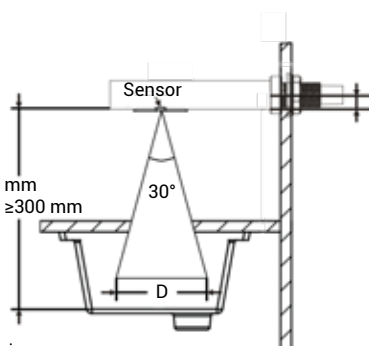
## INSTALLATION

Make sure the main breaker is turned off. Installation must be carried out by a qualified person in accordance with applicable standards in the country concerned.

1. Check the required distance from sensor to sink.

Distance from sensor to sink:

Ceramic  $\geq 250$  mm  
Brushed steel  $\geq 300$  mm

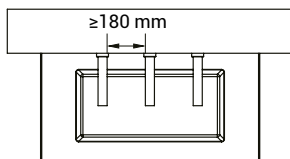
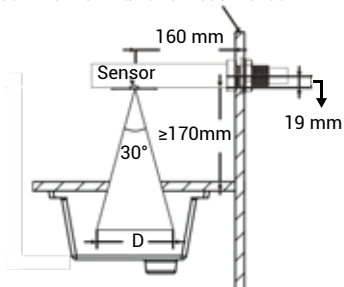


Sensor field of view:  
Object distance 250 mm: D:  $\leq 128$  mm  
Object distance 300 mm: D:  $\leq 155$  mm

Objects within range D may cause unintentional activation.

2. Check the required distance from sensor to sink.

Recommended wall thickness: 10-30 mm

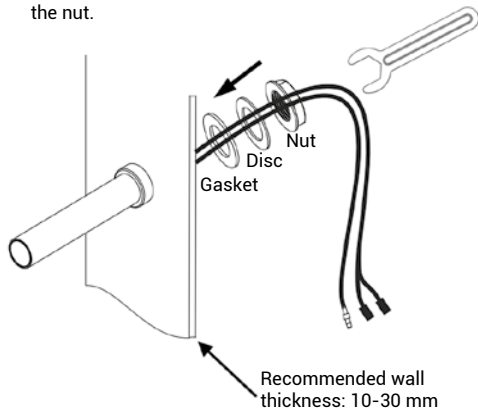


A minimum distance of 180 mm is required between each tap product.

3. Mark the desired position on the wall and drill a  $\varnothing 35$  mm diameter hole.

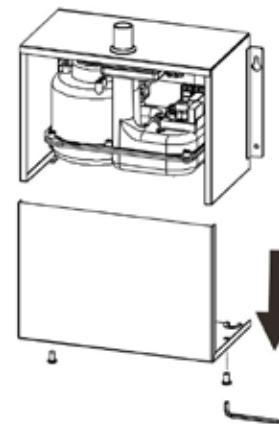


4. Installation of the tap:  
A) Push the screwed bushing through the hole in the wall  
B) Place gasket, disc, and nut on the threaded coupling of the tap  
C) Tighten with tool, be careful not to overtighten the nut.

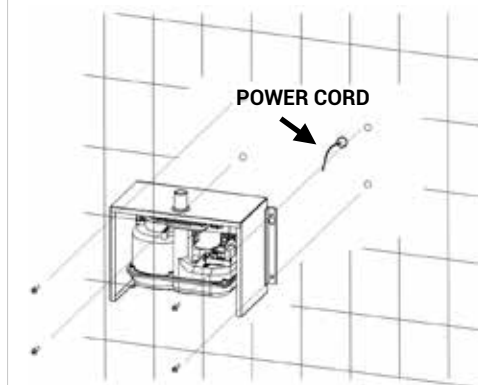


## INSTALLATION

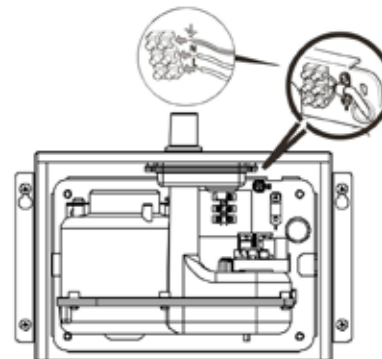
5. Unscrew (2) bottom screws and remove cabinet using the allen wrench included.



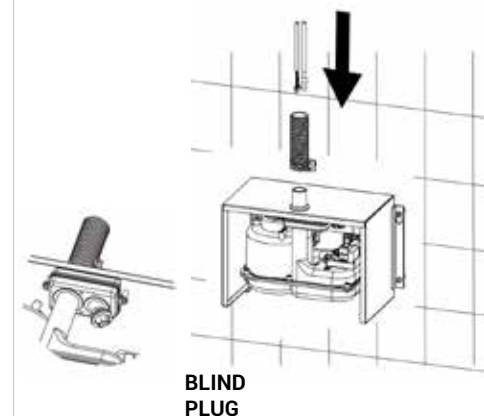
6. Mount unit cabinet to the wall. Insert power cord through the inlet hole located in the back of the cabinet, or through the premade opening at the bottom of the cabinet. Connect power cord to hand dryer. It may be necessary to remove a plate to push the cord through.



7. Connect supply wires to terminal block:  
A) Connect phase wire (black or brown) to terminal block "L".  
B) Connect neutral wire (light blue) to terminal block "N".  
C) Connect earthing (yellow/green) to terminal block "E".

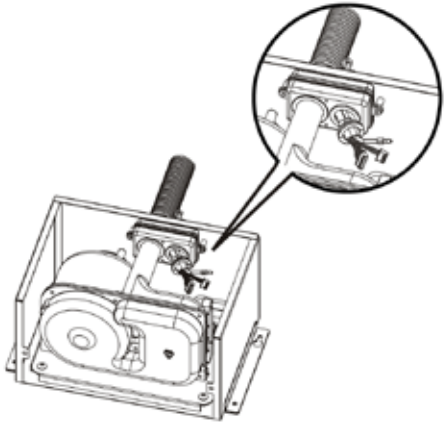


8. Remove end cap from blind plug. Pull wires and earthing through the flexi hose and air branch on motor. Fasten the flexi hose to the cabinet branch. Attach the opposite end of the flexi hose to branch on tap.



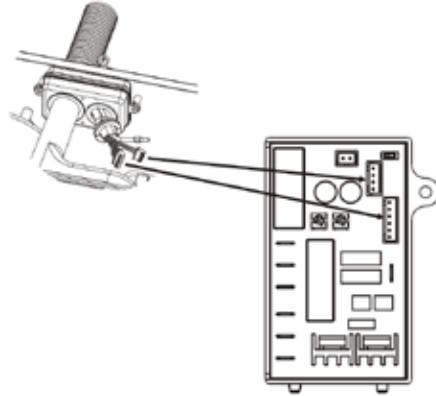
## INSTALLATION

9. Close wires and earthing with suitable blind plugs.



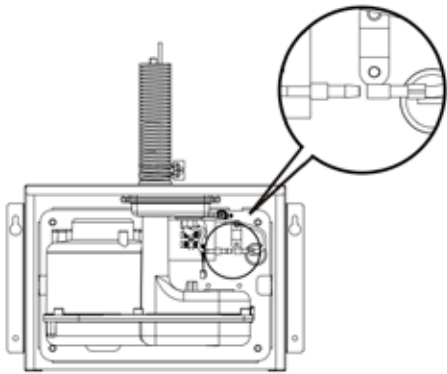
**IMPORTANT!**  
Secure blind plug in the cap to provide an airtight seal.

10. Connect plugs to timer via respective ports.

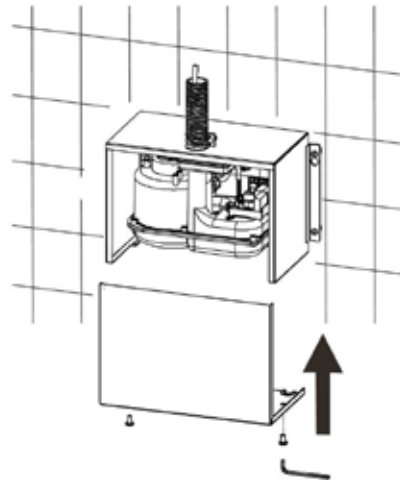


Make sure to position the plugs correctly.

11. Connect earthing.

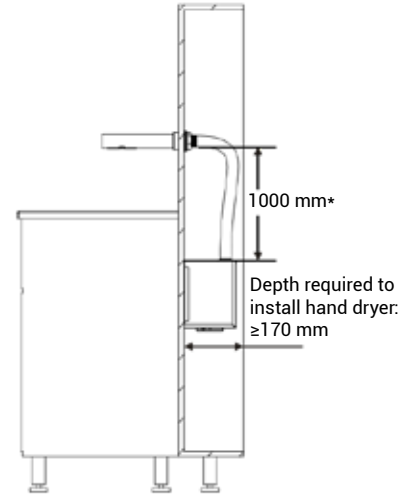


12. Mount cabinet front and tighten (2) screws.



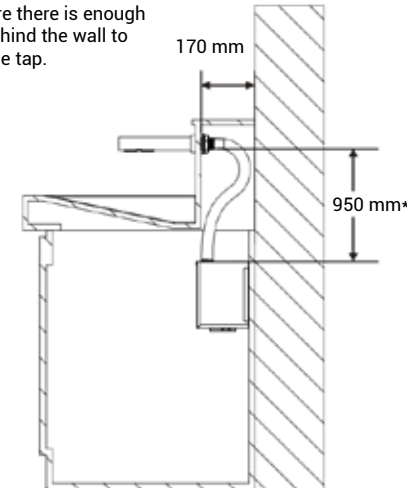
## INSTALLATION

13. Place fan for the hand dryer behind the wall.



13. Mount the hand dryer fan under the sink.

Make sure there is enough space behind the wall to mount the tap.

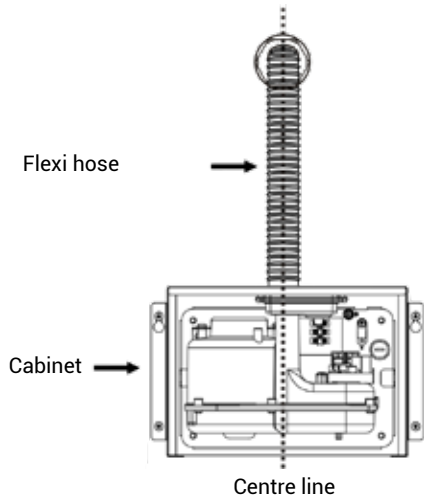


### **IMPORTANT!**

- Ensure easy access to maintenance and cleaning of the unit.
- Add extra space (+30 mm) at the air inlet if a HEPA filter should be fitted.
- It is recommended to install a power switch to the hand dryer to ensure easy disconnection of electricity supply before cleaning and maintenance.
- Do not turn or bend the flexi hose too sharp. This will reduce the air velocity and thus increase the drying time.
- Ensure unit is installed on solid and stable background.
- If in doubt, contact DAN DRYER

\* Standard measures for 1200 mm flexi hose

## INSTALLATION HEIGHT



### RECOMMENDATION:

Tolerance for position of flexi hose from centre line  $\pm 2$  cm. If tolerance, for any reason, deviates more than  $\pm 2$  cm on the determined installation position, it must be ensured that the hose is not bent or curved.

A bent or curved hose can cause reduced air velocity and air volume.

## PRODUCT APPLICATION

- Shake excess water from hands
- Place hands under the dryer to turn it on
- Place your hands approx. 10-15 cm under the unit
- Move your hands slowly through the airflow from your wrists to finger tips to make the water roll off your hands
- The dryer stops automatically when hands are moved away

## LIGHT INDICATOR

Standby	Solid red light
Active	Light changes from blue to red

## CLEANING AND MAINTENANCE

Routine cleaning and maintenance is recommended every 12 months. This may be required more frequently depending on the local conditions.

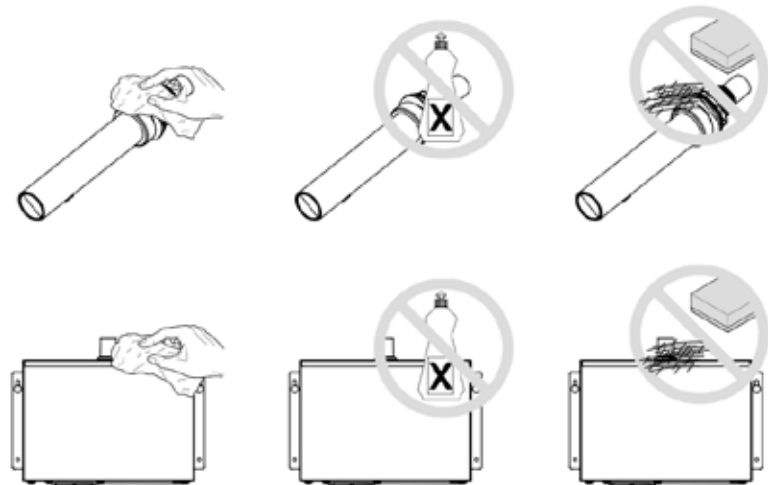
Carbon brushes are wearing parts and need to be checked more often to prevent damage to the motor.

### CLEANING AND MAINTENANCE OF CABINET/MOTOR

- Cut the power
- Unscrew (2) bottom security screws
- Remove cabinet front
- Clean the cabinet inside and remove dust/dirt. Compressed air can be used
- Do not rinse with running water
- Use a damp cloth and mild cleaning solution. Never use cleaning detergents with an abrasive effect
- Replace cabinet front and tighten screws. Ensure not to overtighten screws

### CLEANING AND MAINTENANCE OF TAP/SENSOR

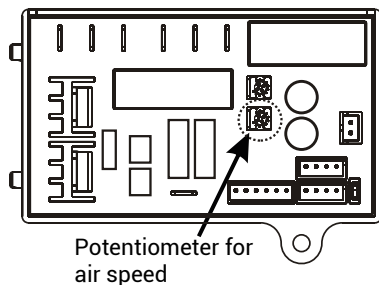
- Do not rinse with running water
- Use a damp cloth and mild cleaning solution. Never use cleaning detergents with an abrasive effect
- Clean sensor for dust and dirt to prevent unintentional activation



## TIMER SETTINGS

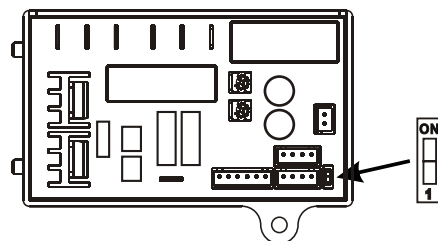
### AIR SPEED ADJUSTMENT

- Switch off power and remove front cover
- Air speed is adjusted on the potentiometer
- Use Phillips screwdriver or flat notch
- Turn clockwise to increase air speed (+)
- Turn counterclockwise to decrease air speed (-)
- Be careful not to overturn the adjustment screw



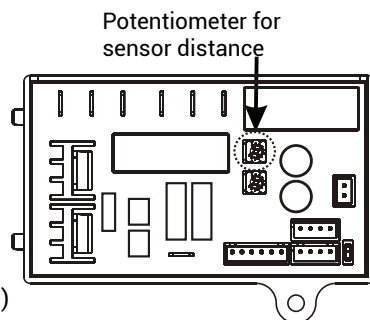
### SWITCH FOR HEATING ELEMENT

- Switch off power and remove front cover
- Switch for heating element is placed on timer.
- Use a flat notch to activate/deactivate
- Move switch to "ON" --> heating element active
- Move switch to "1" --> heating element not active



### SENSOR RANGE ADJUSTMENT

- Switch off power and remove front cover
- Use Phillips screwdriver or flat notch
- Adjust sensor activation range on the potentiometer
- Sensor range can be adjusted between 100 mm and 230 mm.
- Standard range: 130 mm ± 20 mm
- Turn clockwise: Increasing sensor activation range (+)
- Turn counterclockwise: Decreasing sensor activation range (-)
- Sensor activation is affected by the ambient environment, e.g. light and distance to the bottom of the sink
- Be careful not to overturn the adjustment screw
- To ensure the hand dryer functions uninterrupted the activation distance should as minimum be set at the recommended standard range

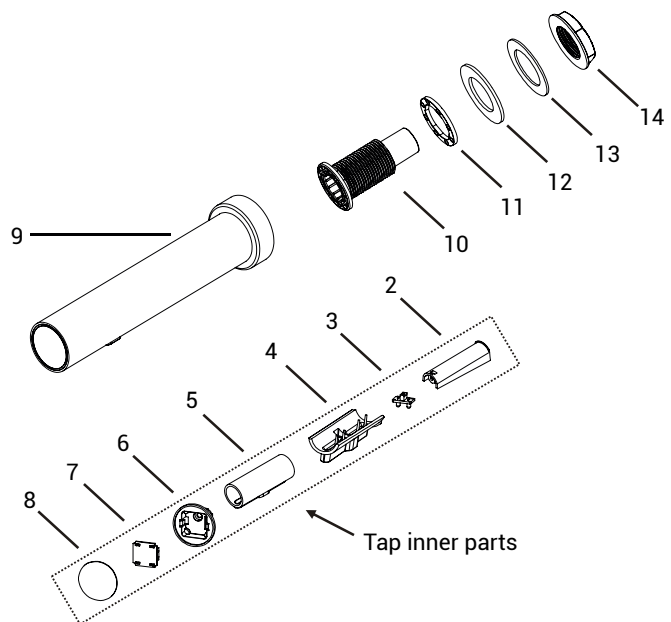


## TROUBLESHOOTING AND CORRECTIVE ACTIONS

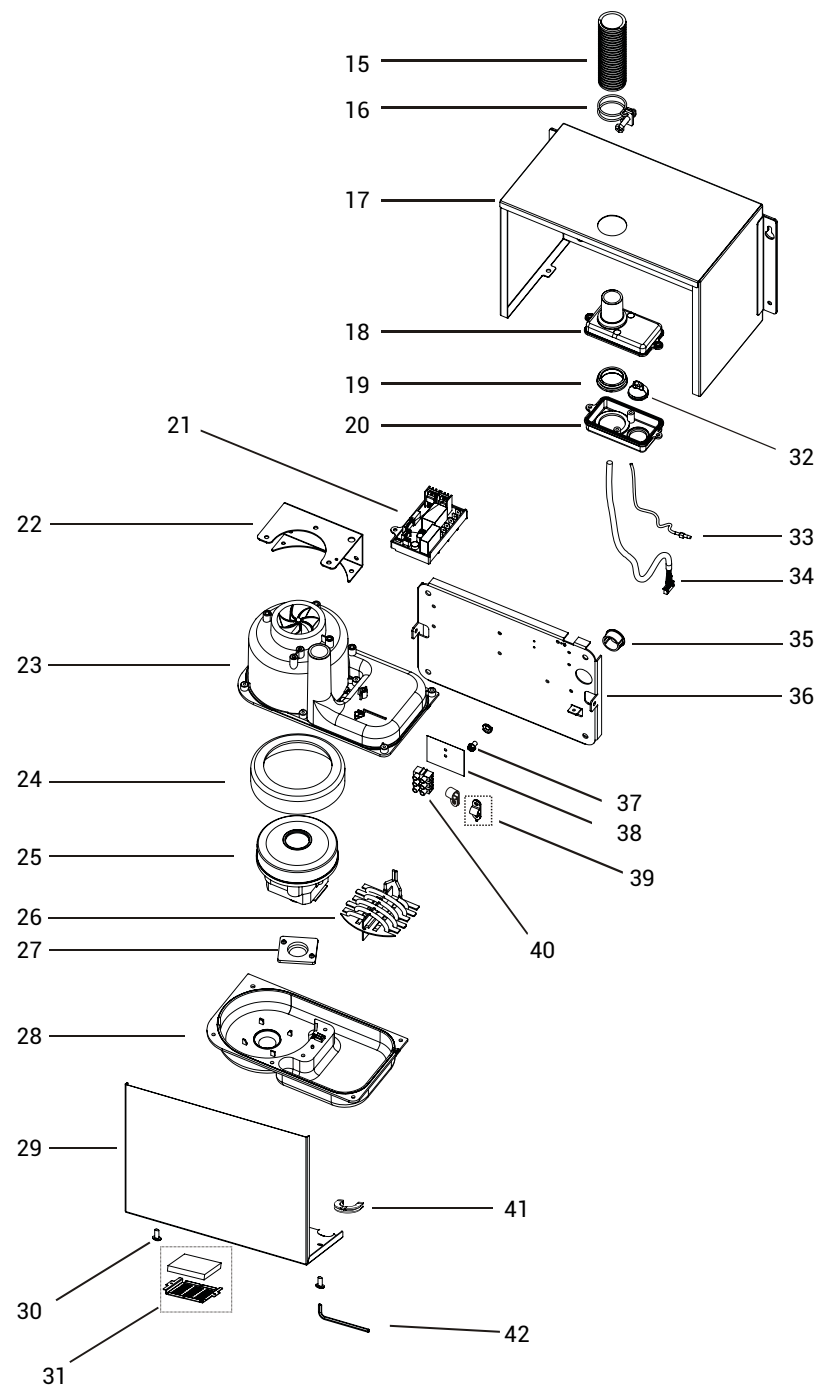
SYMPTOM	CORRECTIVE ACTION: NEW HAND DRYER
Hand dryer does not start	<ul style="list-style-type: none"> <li>• Check power supply to the product and ensure the connections at the terminal block are made properly.</li> </ul>
Hand dryer cycles by itself and runs constantly	<ul style="list-style-type: none"> <li>• Make sure nothing is obstructing the IR-sensor activation area.</li> <li>• If the problem persists, check the recommended installation height.</li> </ul>
Hand dryer is very loud and does not run for a complete cycle	<ul style="list-style-type: none"> <li>• Ensure power supply is correct</li> <li>• If the timer is damaged, replace both timer and sensor.</li> </ul>
Hand dryer runs randomly and stops before the cycle is finished	<ul style="list-style-type: none"> <li>• Check timer and sensor. Replace if required.</li> </ul>
The hand dryer runs, but the airspeed is low	<ul style="list-style-type: none"> <li>• Ensure the voltage is correct.</li> <li>• Check setting of potentiometer for air speed adjustment (see page 12).</li> </ul>

SYMPTOM	CORRECTIVE ACTION: USED HAND DRYER
Hand dryer does not start	<ul style="list-style-type: none"> <li>• Check power supply to the product and ensure the connections at the terminal block are made properly.</li> </ul>
IR-sensor only detects motion when hands are placed really close to the hand dryer	<ul style="list-style-type: none"> <li>• Make sure nothing is obstructing the IR-sensor.</li> <li>• Clean sensor. If the problem persists, disconnect the power and remove the cabinet, taking suitable precaution to avoid shock hazard.</li> <li>• Carefully adjust sensor range (see paragraph on this subject).</li> <li>• If the problem persists, replace sensor and timer.</li> </ul>
Hand dryer blows only cold air during a full cycle	<ul style="list-style-type: none"> <li>• Disconnect the power.</li> <li>• Remove cabinet and disassemble the blower/fan unit.</li> <li>• Test the thermostat for open circuit.</li> <li>• Check the heating element for defects. Replace defect heating element.</li> </ul>
LED indicator does not work	<ul style="list-style-type: none"> <li>• Confirm the unit works properly. If yes, replace LED circuit board.</li> </ul>
Hand dryer does not run smoothly	<ul style="list-style-type: none"> <li>• Check carbon brushes. Replace if they are worn or damaged. If no faults are detected, replace motor.</li> </ul>

PARTS LIST



No.	Description	No.	Description
2	Sensor housing (upper part)	23	Blower housing (upper part)
3 + 4	Sensor + outlet branch	24	Motor rubber (upper part)
5	Silicone lining	25	Motor
6	Holder for LED circuit board	26	Heating element
7	LED circuit board	27	Motor rubber (lower part)
8	End piece	28	Blower housing (lower part)
9	Tap	29	Cabinet (front part)
10	Threaded bushing	30	Hexagonal security screw
11	Small rubber gasket	31	Filter set (filter and holder)
12	Large rubber gasket	32	Rubber bush
13	Stainless steel disc	33	Earthing
14	Nut	34	Sensor cable
15	Flexi hose (30 cm)	35	Nylon bushing
16	Clamp for flexi hose (2 pcs.)	36	Back plate
17	Stainless steel cabinet (back)	37	Earthing screw
18	Mounting cap	38	Insulation mylar
19	Gasket for wire set	39	Cable clamp
20	Mounting cap (lower part)	40	Terminal
21	Timer	41	Cable protection
22	Gasket for mounting cap	42	Allen screw







**DAN DRYER A/S**

Tåsingevej 2  
DK-8940 Randers SV

Tel: +45 8641 5711  
Email: [info@dandryer.dk](mailto:info@dandryer.dk)  
[dandryer.com](http://dandryer.com)